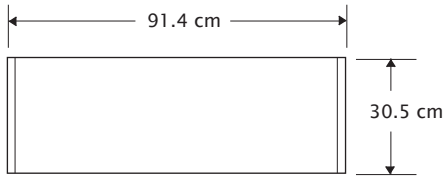


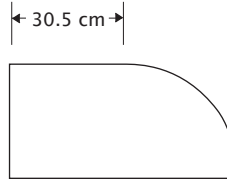
# RANGE HOOD FEATURES AND SPECIFICATIONS

## Retro Hood

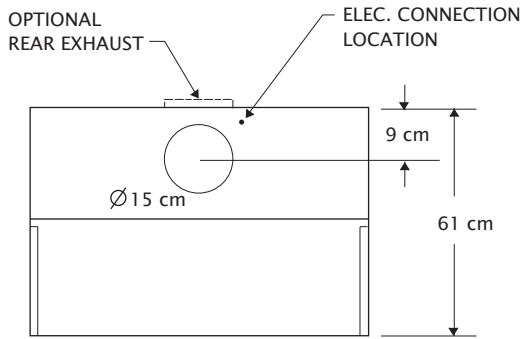
MODELS:  
(BCH3612)



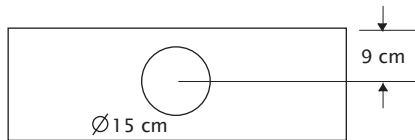
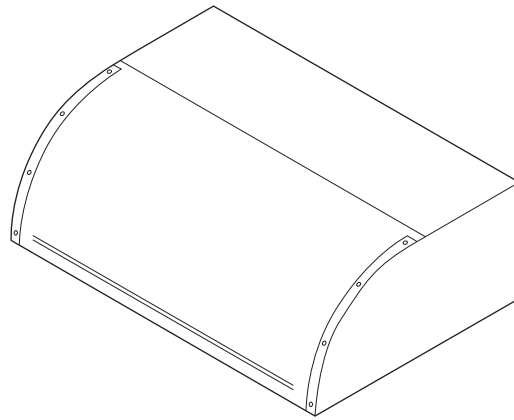
FRONT VIEW



SIDE VIEW



TOP VIEW



BACK VIEW

Dimensions	30.5 cm H x 91 cm W x 61 cm D
Vent	External, Reversible top or rear exhaust.
Blower	600 CFM / 3-Speed
Electrical	120 VAC, 15 Amps

### FEATURES:

Commercial grade 18 gauge 300 stainless steel construction, Welded seamless corners, Dishwasher safe stainless steel baffle filters, 3-Speed blower control, Halogen lamps with dimmer control, Largest filtered capture in the industry

### INSTALL NOTES:

Allow 30"-36" between stove top and bottom of range hood (or per your local city codes).



TOLL FREE: 1-877-842-3269

EMAIL: [info@bigchill.com](mailto:info@bigchill.com)

WEB: [www.bigchill.com](http://www.bigchill.com)